



ACL 600 / ACL 605

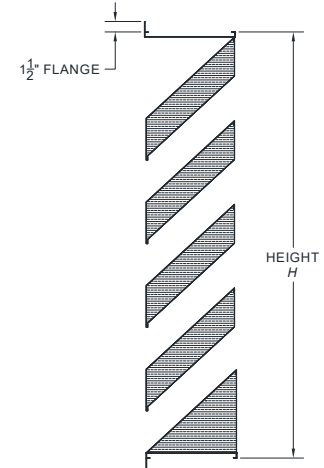
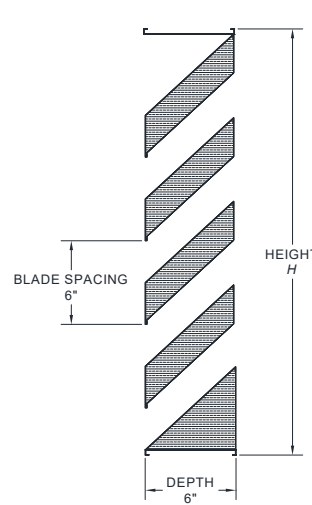
6" DEEP ACOUSTIC LOUVER-FORMED BLADES



MODEL: ACL600
FRAME: CHANNEL FRAME
DUCT-MOUNT (DM)



MODEL: ACL605
FRAME: FLANGE FRAME
FLANGE-MOUNT (FM)



PERFORMANCE			
LOUVER UNIT SIZE	TOTAL AREA	FREE AREA	FREE AREA
48" x 48"	16 ft ²	4.40 ft ²	27.5%
(1219 x 1219 mm)	(1.49 m ²)	(0.41 m ²)	
BEGINNING POINT OF WATER PENETRATION AT 0.01 oz./ft ² FREE AREA:			703 FPM

STANDARD CONSTRUCTION

DEPTH:	6" (152 mm)
MATERIAL:	ALUMINUM
FRAME:	0.080" (2.03 mm) – EXTRUDED ALUMINUM – 6063-T5 ALLOY
BLADE EXTERIOR:	0.063" (1.60 mm) – FORMED ALUMINUM
BLADE INTERIOR:	0.032" (0.81 mm) – PERFORATED ALUMINUM – Ø3/32" HOLES
INSULATION:	MINERAL WOOL INSULATION
BLADE ANGLE:	45°
BLADE CENTRES:	6" (152 mm)
BIRDSCREEN:	19 GA. GALVANIZED BIRDSCREEN - 1/2" x 1/2" OPENINGS
FINISH:	MILL

SIZE LIMITATIONS: SINGLE SECTION LOUVER

	MINIMUM	MAXIMUM
WIDTH	12" (305 mm)	60" (1524 mm)
HEIGHT	16" (406 mm)	96" (2438 mm)
AREA	1.3 ft ² (0.12 m ²)	40 ft ² (3.72 m ²)

*LOUVER WILL BE MANUFACTURED 1/4" (6.4 mm) SMALLER (SINGLE SECTION) AND 1/2" (12.7 mm) SMALLER (MULTIPLE SECTION) THAN GIVEN OPENING DIMENSIONS UNLESS OTHERWISE SPECIFIED

AVAILABLE ACCESSORIES

FINISH:	SCREENS:
<ul style="list-style-type: none"> • BAKED ENAMEL FINISH • DURANAR FINISH • ANODIZED FINISH <ul style="list-style-type: none"> ○ CLEAR ANODIZED ○ LIGHT BRONZE ○ MEDIUM BRONZE ○ DARK BRONZE ○ BLACK ANODIZED 	<ul style="list-style-type: none"> • BIRDSCREEN <ul style="list-style-type: none"> ○ 1/2" x 1/2" INTER CRIMPED ALUMINUM ○ ALUMINUM BIRDSCREEN WITH FRAME • INSECT SCREEN <ul style="list-style-type: none"> ○ 18 x 14 MESH
OTHER:	BLANK-OFF PANELS (ALUMINUM): VARIOUS GAUGES
<ul style="list-style-type: none"> • EXTENDED SILLS • SECURITY BARS • FILTER RACKS • STAINLESS STEEL FASTENERS • HINGED ACCESS DOORS 	<ul style="list-style-type: none"> • NON-INSULATED BLANK-OFF PANELS • INSULATED BLANK-OFF PANELS <ul style="list-style-type: none"> ○ 1" (25.4 mm) INSULATION ○ 2" (50.8 mm) INSULATION

SOUND PERFORMANCE

OCTAVE BAND / FREQUENCY	TRANSMISSION LOSS (dB)	FREE FIELD NOISE REDUCTION (dB)
1 / 63	7	13
2 / 125	7	13
3 / 250	7	13
4 / 500	8	14
5 / 1000	11	17
6 / 2000	15	21
7 / 4000	14	20
8 / 8000	14	20

THIS TEST WAS CONDUCTED IN ACCORDANCE WITH ASTM STANDARD E90-04, "STANDARD TEST METHOD FOR LABORATORY MEASUREMENT OF AIRBORNE SOUND TRANSMISSION LOSS OF BUILDING PARTITIONS AND ELEMENTS".

DWG. ACL600 / ACL605 DECEMBER 2024



ACL 600 / ACL 605

6" DEEP ACOUSTIC LOUVER-FORMED BLADES

FREE AREA (Sq. Ft.)

		WIDTH (INCHES)												
		12	16	20	24	28	32	36	40	44	48	52	56	60
HEIGHT (INCHES)	16	0.28	0.39	0.50	0.61	0.72	0.82	0.93	1.04	1.15	1.26	1.36	1.47	1.58
	20	0.43	0.59	0.75	0.91	1.07	1.24	1.40	1.56	1.72	1.88	2.05	2.21	2.37
	24	0.43	0.59	0.75	0.91	1.07	1.24	1.40	1.56	1.72	1.88	2.05	2.21	2.37
	28	0.57	0.78	1.00	1.22	1.43	1.65	1.86	2.08	2.30	2.51	2.73	2.94	3.16
	32	0.61	0.84	1.07	1.30	1.53	1.76	1.99	2.22	2.45	2.68	2.91	3.15	3.38
	36	0.71	0.98	1.25	1.52	1.79	2.06	2.33	2.60	2.87	3.14	3.41	3.68	3.95
	40	0.85	1.18	1.50	1.82	2.15	2.47	2.80	3.12	3.44	3.77	4.09	4.42	4.74
	44	0.89	1.23	1.57	1.91	2.25	2.58	2.92	3.26	3.60	3.94	4.28	4.62	4.96
	48	0.99	1.37	1.75	2.13	2.51	2.88	3.26	3.64	4.02	4.40	4.77	5.15	5.53
	52	1.13	1.57	2.00	2.43	2.86	3.30	3.73	4.16	4.59	5.02	5.46	5.89	6.32
	56	1.17	1.62	2.07	2.51	2.96	3.41	3.86	4.30	4.75	5.20	5.64	6.09	6.54
	60	1.28	1.76	2.25	2.74	3.22	3.71	4.19	4.68	5.17	5.65	6.14	6.63	7.11
	64	1.42	1.96	2.50	3.04	3.58	4.12	4.66	5.20	5.74	6.28	6.82	7.36	7.90
	68	1.46	2.01	2.57	3.12	3.68	4.23	4.79	5.34	5.90	6.45	7.01	7.56	8.12
	72	1.56	2.15	2.75	3.34	3.94	4.53	5.13	5.72	6.31	6.91	7.50	8.10	8.69
	76	1.70	2.35	3.00	3.65	4.30	4.94	5.59	6.24	6.89	7.54	8.19	8.83	9.48
80	1.74	2.40	3.07	3.73	4.39	5.06	5.72	6.38	7.05	7.71	8.37	9.03	9.70	
84	1.84	2.55	3.25	3.95	4.65	5.36	6.06	6.76	7.46	8.16	8.87	9.57	10.27	
88	1.99	2.74	3.50	4.25	5.01	5.77	6.52	7.28	8.04	8.79	9.55	10.31	11.06	
92	2.02	2.80	3.57	4.34	5.11	5.88	6.65	7.42	8.19	8.96	9.74	10.51	11.28	
96	2.13	2.94	3.75	4.56	5.37	6.18	6.99	7.80	8.61	9.42	10.23	11.04	11.85	

FREE AREA (%)

		WIDTH (INCHES)												
		12	16	20	24	28	32	36	40	44	48	52	56	60
HEIGHT (INCHES)	16	21.3%	22.0%	22.5%	22.8%	23.0%	23.2%	23.3%	23.4%	23.5%	23.6%	23.6%	23.7%	23.7%
	20	25.5%	26.4%	27.0%	27.4%	27.6%	27.8%	28.0%	28.1%	28.2%	28.3%	28.3%	28.4%	28.4%
	24	21.3%	22.0%	22.5%	22.8%	23.0%	23.2%	23.3%	23.4%	23.5%	23.6%	23.6%	23.7%	23.7%
	28	24.3%	25.2%	25.7%	26.0%	26.3%	26.5%	26.6%	26.7%	26.8%	26.9%	27.0%	27.0%	27.1%
	32	22.7%	23.5%	24.0%	24.4%	24.6%	24.8%	24.9%	25.0%	25.1%	25.2%	25.2%	25.3%	25.3%
	36	23.6%	24.5%	25.0%	25.3%	25.6%	25.7%	25.9%	26.0%	26.1%	26.2%	26.2%	26.3%	26.3%
	40	25.5%	26.4%	27.0%	27.4%	27.6%	27.8%	28.0%	28.1%	28.2%	28.3%	28.3%	28.4%	28.4%
	44	24.3%	25.1%	25.7%	26.0%	26.2%	26.4%	26.6%	26.7%	26.8%	26.9%	26.9%	27.0%	27.0%
	48	24.8%	25.7%	26.2%	26.6%	26.8%	27.0%	27.2%	27.3%	27.4%	27.5%	27.5%	27.6%	27.7%
	52	26.2%	27.1%	27.7%	28.1%	28.3%	28.5%	28.7%	28.8%	28.9%	29.0%	29.1%	29.1%	29.2%
	56	25.1%	26.0%	26.6%	26.9%	27.2%	27.4%	27.5%	27.7%	27.8%	27.8%	27.9%	28.0%	28.0%
	60	25.5%	26.4%	27.0%	27.4%	27.6%	27.8%	28.0%	28.1%	28.2%	28.3%	28.3%	28.4%	28.4%
	64	26.6%	27.5%	28.1%	28.5%	28.8%	29.0%	29.1%	29.3%	29.4%	29.4%	29.5%	29.6%	29.6%
	68	25.7%	26.6%	27.2%	27.5%	27.8%	28.0%	28.2%	28.3%	28.4%	28.5%	28.5%	28.6%	28.7%
	72	26.0%	26.9%	27.5%	27.9%	28.1%	28.3%	28.5%	28.6%	28.7%	28.8%	28.9%	28.9%	29.0%
	76	26.9%	27.8%	28.4%	28.8%	29.1%	29.3%	29.4%	29.6%	29.7%	29.8%	29.8%	29.9%	29.9%
80	26.1%	27.0%	27.6%	28.0%	28.2%	28.4%	28.6%	28.7%	28.8%	28.9%	29.0%	29.0%	29.1%	
84	26.3%	27.3%	27.8%	28.2%	28.5%	28.7%	28.8%	29.0%	29.1%	29.2%	29.2%	29.3%	29.3%	
88	27.1%	28.0%	28.6%	29.0%	29.3%	29.5%	29.7%	29.8%	29.9%	30.0%	30.1%	30.1%	30.2%	
92	26.4%	27.3%	27.9%	28.3%	28.6%	28.8%	28.9%	29.0%	29.1%	29.2%	29.3%	29.4%	29.4%	
96	26.6%	27.5%	28.1%	28.5%	28.8%	29.0%	29.1%	29.3%	29.4%	29.4%	29.5%	29.6%	29.6%	

RECOMMENDED SPECIFICATION

Furnish and install stationary louver models ACL600 / ACL605 as manufactured by Ventex Inc, Alliston, Ontario. Louvers shall be 6" (152 mm) deep. Blades shall be formed 0.063" (1.60 mm) aluminum and frame shall be 0.080" (2.03 mm) extruded 6063-T5 aluminum alloy. Louvers shall have 19 gauge galvanized 1/2" x 1/2" birdscreen. All materials shall be factory finished after assembly with Polyester Powder Coat in a color selected from the Ventex Color Chart.